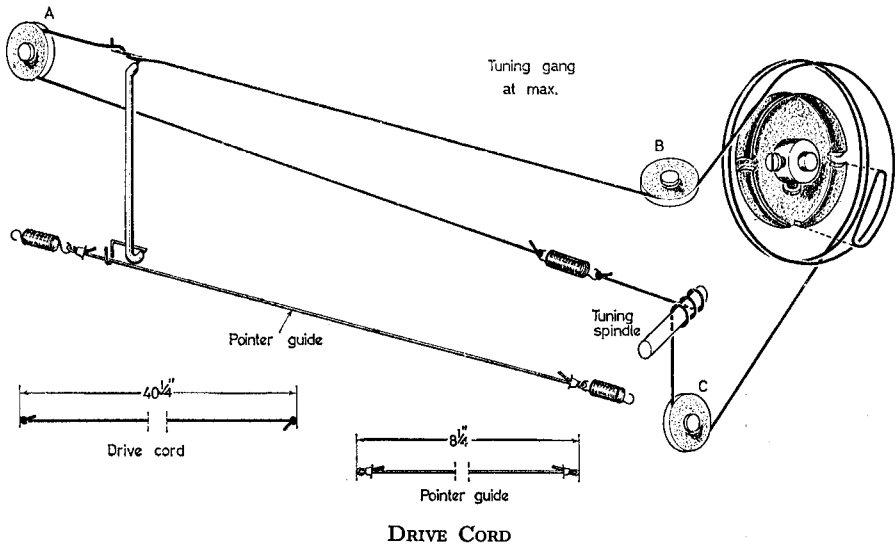


PHILIPS

Models F5G50AT, F5G51AT

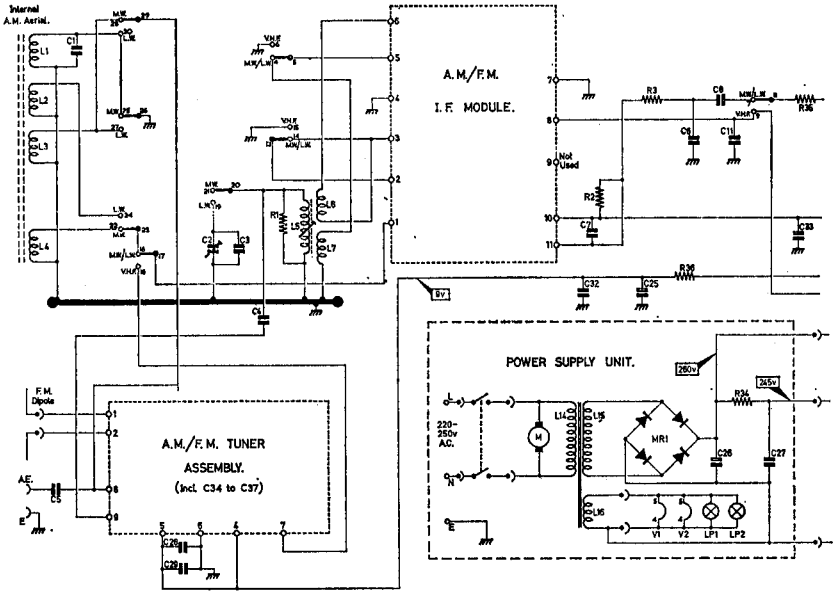
General Description: Hybrid, stereo radiograms for reception of M.W./L.W. and F.M., employing transistors in the R.F. and I.F. module circuits, and one transistor as an audio amplifier. A valve output stage is used for each channel. A Garrard Model 200 changer unit is fitted incorporating an Acos GP 73 X cartridge with turnover diamond L.P. and sapphire 78 styli. For use on 220–250 volt, 50 c/s. A.C. mains only. Model F5G50A uses a similar chassis to Model F5G51A with the omission of the bass control and is fitted with a rotary wavechange switch. *Warning:* The I.F. and gang assembly modules are factory aligned units and should either require alignment or servicing, they must be returned intact to the manufacturers.



Loudspeaker Phasing: Disconnect the two outer leads from the speaker lead connection block mounted inside the cabinet. Connect the negative lead of a multi-range meter (switched to the lowest d.c. current range) to the common black leads, and the positive lead to one of the disconnected speaker leads. Press the speaker cone lightly forward and note the direction of meter pointer deflection. Repeat the test with the second speaker, connecting the meter positive lead to the other disconnected lead.

If the phasing is correct, the direction of deflection should be the same for both speakers. If the phasing is found to be incorrect, reverse the connections on one speaker.

RADIO SERVICING

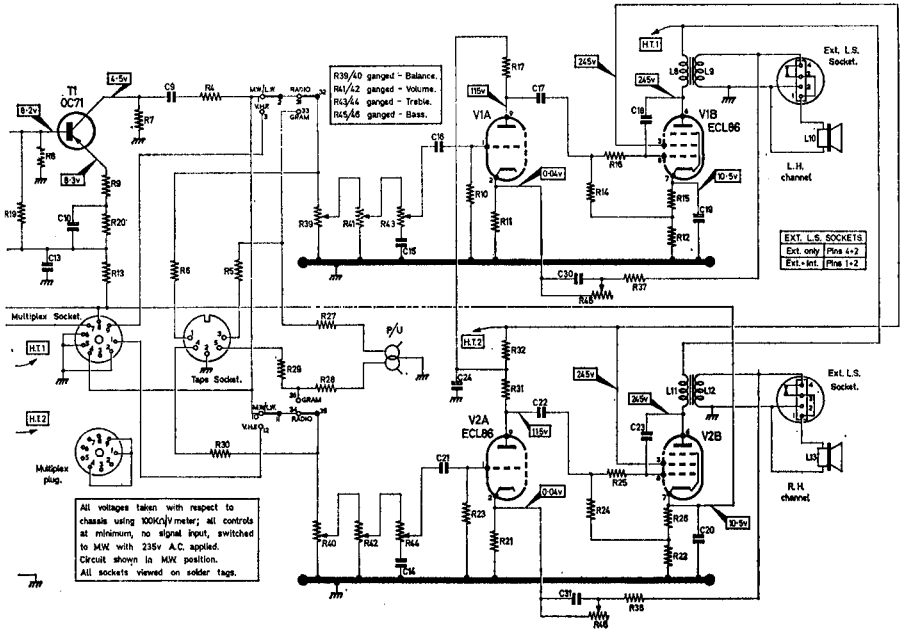


CIRCUIT DIAGRAM—

<i>Capacitors.</i>							
C1	47	C22	0.01 F.	R3	5,600	R26	200
C2	3-40	C23	10	R4	0.1M	R27	56,000
C3	170	C24	8 μF.	R5	0.1M	R28	56,000
C4	200	C25	100 F.	R6	2.2M	R29	0.1M
C5	3.9	C26	40 μF.	R7	5,600	R30	2.2M
C6	4700	C27	40 μF.	R8	82,000	R31	0.22M
C7	0.01 μF.	C28	0.2 μF.	R9	47	R32	56,000
C8	10 μF.	C29	0.02 μF.	R10	10M	R34	1,000
C9	0.01 μF.	C30	0.1 μF.	R11	82	R35	33,000
C10	100 μF.	C31	0.1 μF.	R12	100	R36	1,500
C11	4700	C32	0.01 μF.	R13	150	R37	1,800
C13	250 μF.	C33	500 μF.	R14	0.68M	R38	1,800
C14	170	C34	Gang	R15	200	R39	Balance 1M + 1M
C15	170	C35	Gang	R16	4,700	R40	1,000
C16	4700	C36	Trimmer	R17	0.22M	R41	Volume 1M + 1M
C17	0.01 μF.	C37	Trimmer	R19	1,000	R42	1,000
C18	10	C38	8 μF.	R20	1,000	R43	Treble 500 + 500k
C19	50 μF.			R21	82	R44	1,000
C20	500 μF.			R22	150	R45	1,000
C21	4700			R23	10M	R46	Bass 10k + 10k
				R24	0.68M	R47	200
				R25	4,700		

<i>Resistors.</i>			
R1	82,000		
R2	4,700		

PHILIPS



MODEL F5G51AT